

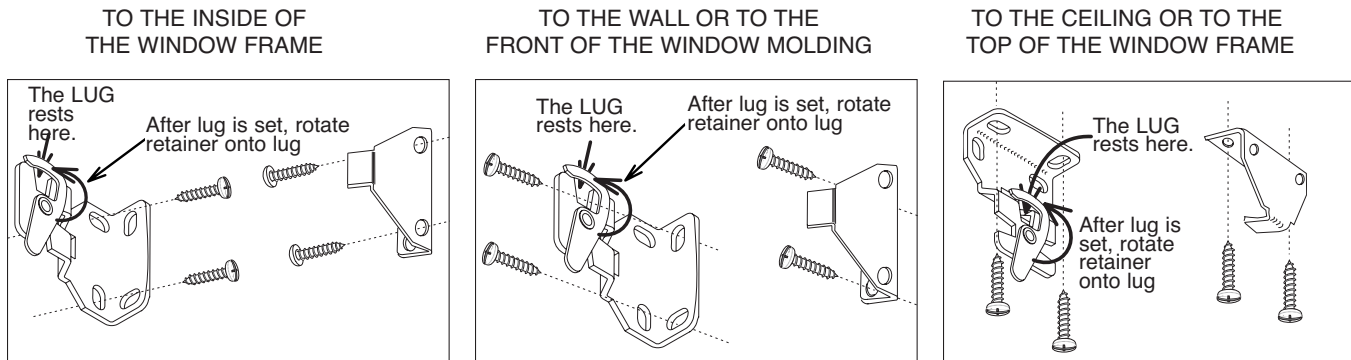
# INTERIOR R SERIES CLUTCH

## Installation Instructions

1010

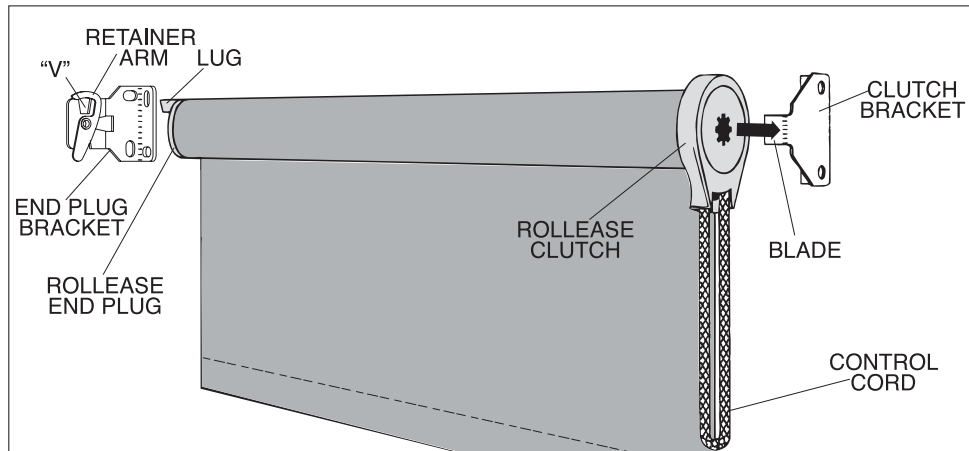
### 1. MOUNT THE BRACKETS.

If the clutch is on the right end of the shade, attach the brackets to the window frame, window molding, wall or ceiling, as shown below. If the clutch is on the left end of the shade, reverse the bracket positions, left for right.



### 2. INSTALL THE SHADE.

- Push the clutch straight onto the blade of its bracket. The bottom of the clutch should always point straight down.
- Lower the lug of the end plug onto the "V" of its bracket. The roller should fit in the brackets securely, with just a little play. Rotate the riveted retainer portion to lock the lug in position.



### 3. INSTALL THE TENSION DEVICE

### 4. USE THE CONTROL CORD TO OPERATE THE SHADE.

Pulling gently on the cord in one direction raises the shade; pulling it in the other direction lowers it.

On shades where the fabric rolls against the window, the front cord does the raising. On shades where the fabric rolls toward the room, the rear cord does the raising.

### 5. ATTACH STOPS TO A CONTROL CORD THAT'S MADE OF BEAD CHAIN.

On metal bead chain, attach a metal stop ball that is at least 5/16" (8mm) in diameter, so that it touches the mouth of the clutch when the shade is in the all-rolled-up position.

For metal or plastic bead chain, lower the shade to sill or floor height, and attach the appropriate metal stop or plastic connector next to the clutch, this prevents the shade from being lowered beyond that point.

#### INSTALLING P-CLIP

With safety in mind we have provided you with a P-Clip to keep the beaded chain out of the reach of small children. Mount the P-Clip to the side of the window frame for inside mount, or the frame or wall for outside mount. Do not apply tension to the chain control. The chain should run through the P-clip freely.

#### INSTALLING D-RINGS

Use self tapping screws (provided) to attach d-rings to bottom bar. Center holes in d-ring between grooves in bottom bar extrusion. We recommend placing d-ring approximately 1" - 2" from end of bottom bar extrusion.

TECHNICAL



**SUN CONTROL**  
RETRACTABLE SHADES  
*America's Shade Experts*

Toll Free 877-792-1775 | Fax 877-792-0031  
swsuncontrolpro.com | sales@swsuncontrol.com